



# Installation instructions, accessories

Volvo Car Corporation Gothenburg, Sweden

<b>Instruction No</b>	<b>Version</b>	<b>Part. No.</b>
31428119	1.0	31428115, 31428116, 31428117, 31428118

## Mirrors, door



# Installation instructions, accessories

Volvo Car Corporation Gothenburg, Sweden

## Special tools

999 7390 Key  
Tool number:999 7390  
Tool description:Key  
Tool boards:80

## Materials

Designation

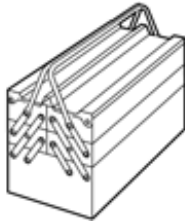
Part number

Tape

## Equipment

**VIDA**

IMG-242205



IMG-345497

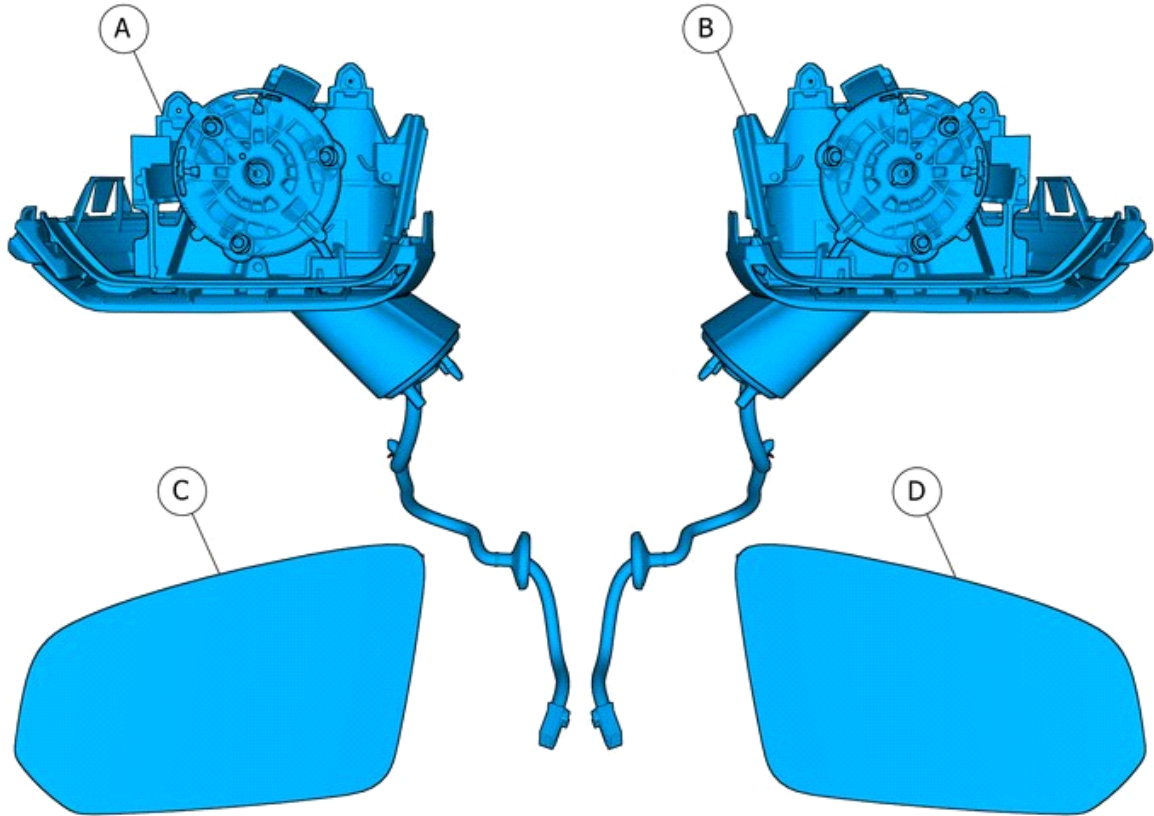


IMG-239667



# Installation instructions, accessories

Volvo Car Corporation Gothenburg, Sweden



IMG-409586



# Installation instructions, accessories

Volvo Car Corporation Gothenburg, Sweden

## Information

1

Read through all of the instructions before starting installation.

Notifications and warning texts are for your safety and to minimise the risk of something breaking during installation.

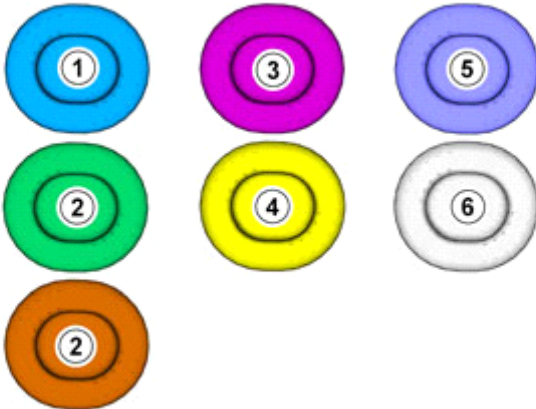
Ensure that all tools stated in the instructions are available before starting installation.

Certain steps in the instructions are only presented in the form of images. Explanatory text is also given for more complicated steps.

In the event of any problems with the instructions or the accessory, contact your local Volvo dealer.

## Color symbols

2



IMG-363036

### Note!

This colour chart displays (in colour print and electronic version) the importance of the different colours used in the images of the method steps.

- Used for focused component, the component with which you will do something.
- Used as extra colors when you need to show or differentiate additional parts.
- Used for attachments that are to be removed/installed. May be screws, clips, connectors, etc.
- Used when the component is not fully removed from the vehicle but only hung to the side.
- Used for standard tools and special tools.
- Used as background color for vehicle components.

## Preparation



# Installation instructions, accessories

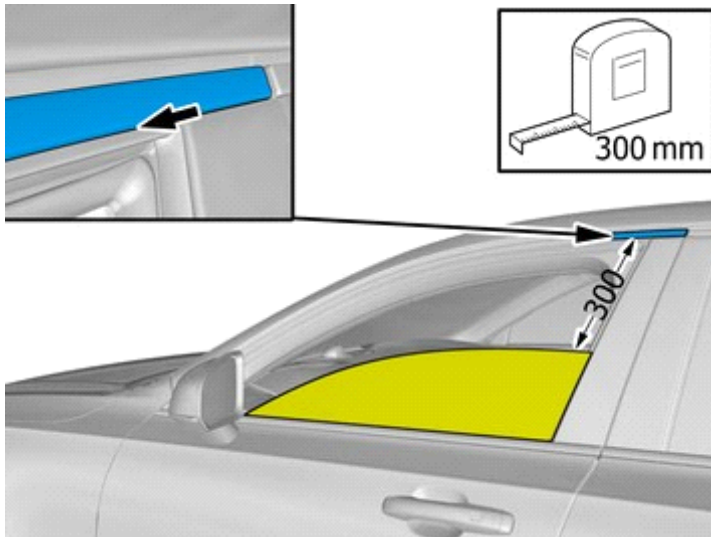
Volvo Car Corporation Gothenburg, Sweden

3



IMG-409680

4



IMG-409685

**Use:** Tape measure

Measure

5



IMG-394535

Set the vehicle to Inactive mode.

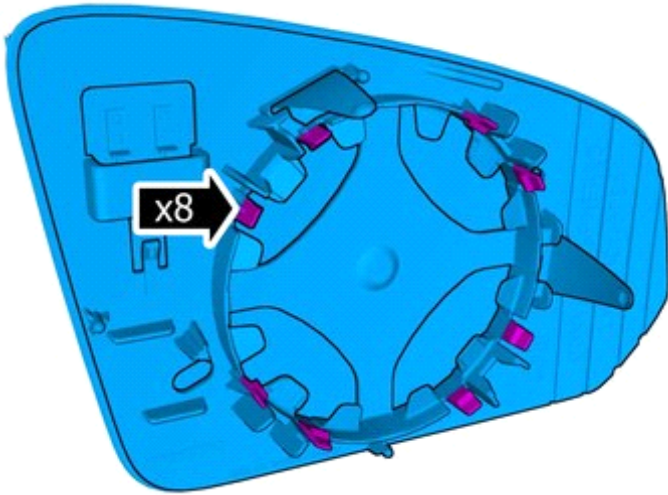


# Installation instructions, accessories

Volvo Car Corporation Gothenburg, Sweden

## Removal

6



IMG-419371

### Note!

The graphic shows the back of the component before removal.

7



IMG-410027

Tilt the component somewhat.



# Installation instructions, accessories

Volvo Car Corporation Gothenburg, Sweden

8



IMG-410022

**Caution!**

Observe caution, the glass breaks easily.

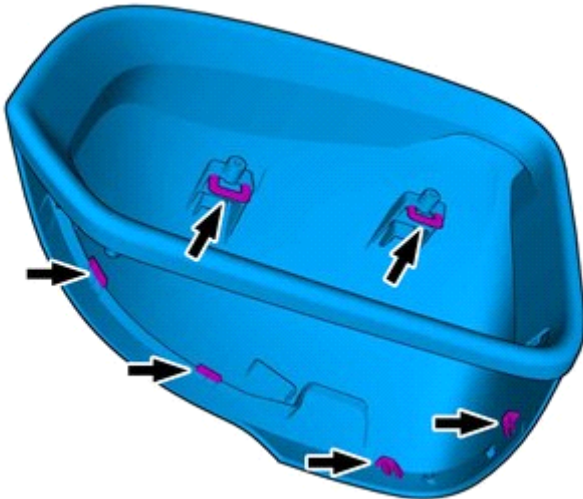
Remove the glass from the mirror.

**Use special tool:** T9997390, Key

The part is not to be reused.

Disconnect any connector(s).

9

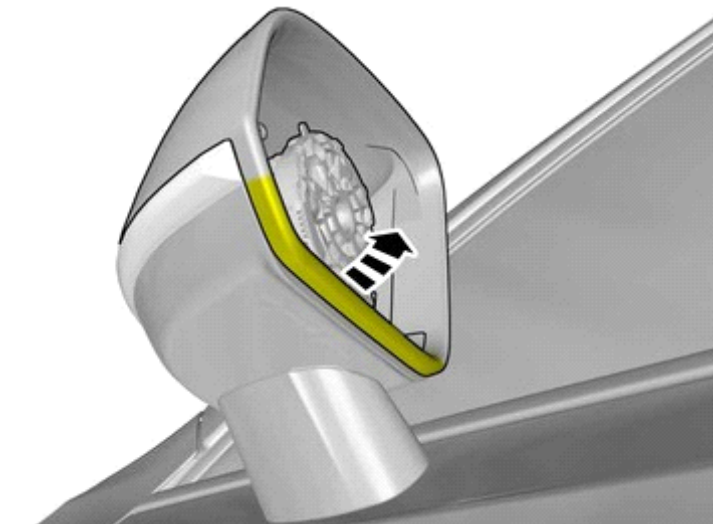


IMG-419342

**Note!**

The graphic shows the back of the component before removal.

10



IMG-419335

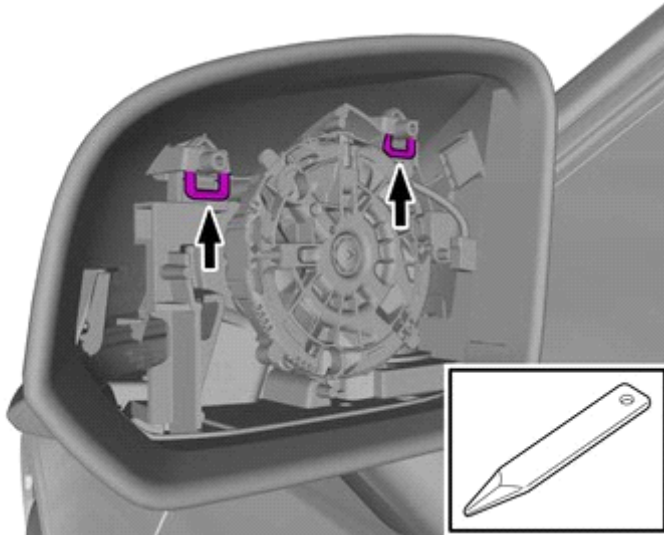
Loosen the component indicated. Do not remove it.



# Installation instructions, accessories

Volvo Car Corporation Gothenburg, Sweden

11

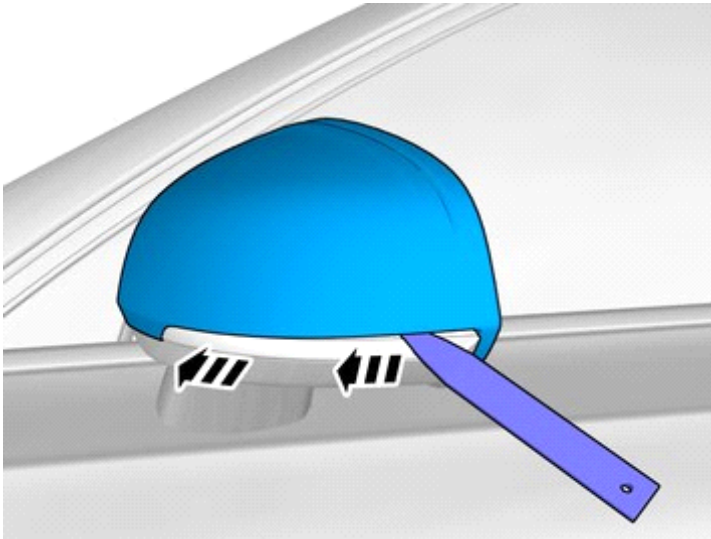


IMG-410020

Release the locks.

**Use:** Interior trim remover

12



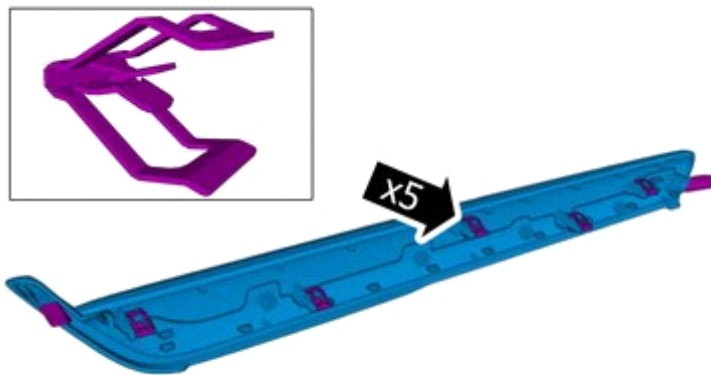
IMG-410021

Remove the part carefully

The part is to be reused.

**Use:** Interior trim remover

13



**Note!**

The graphic shows the back of the component before removal.

IMG-409925





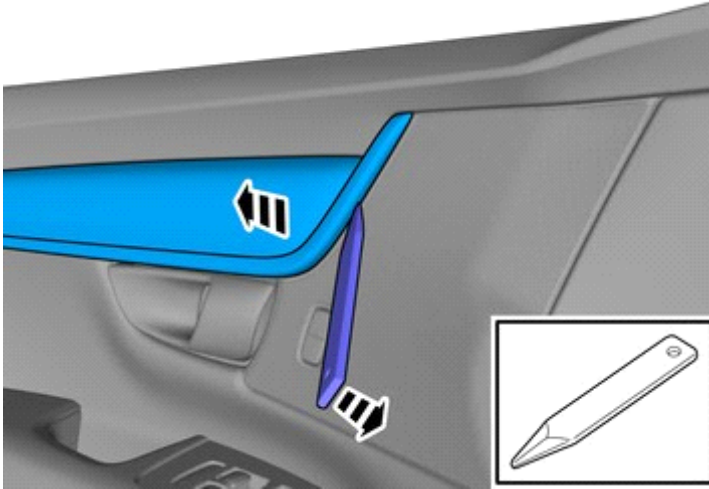
# Installation instructions, accessories

Volvo Car Corporation Gothenburg, Sweden

14

Remove the part carefully

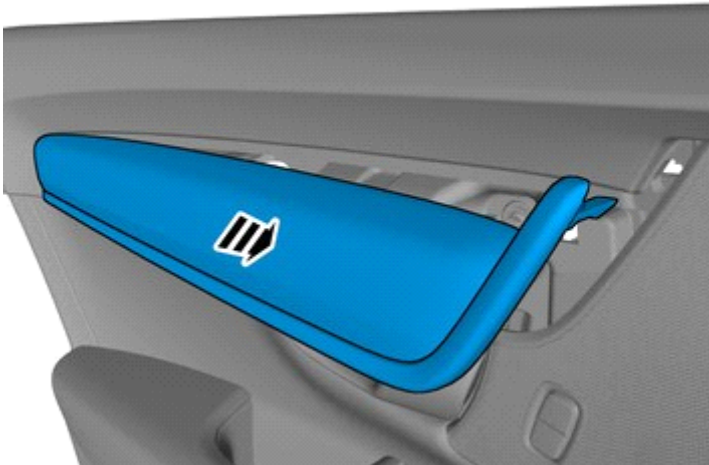
**Use:** Interior trim remover



IMG-409926

15

Remove the marked part.



IMG-409927

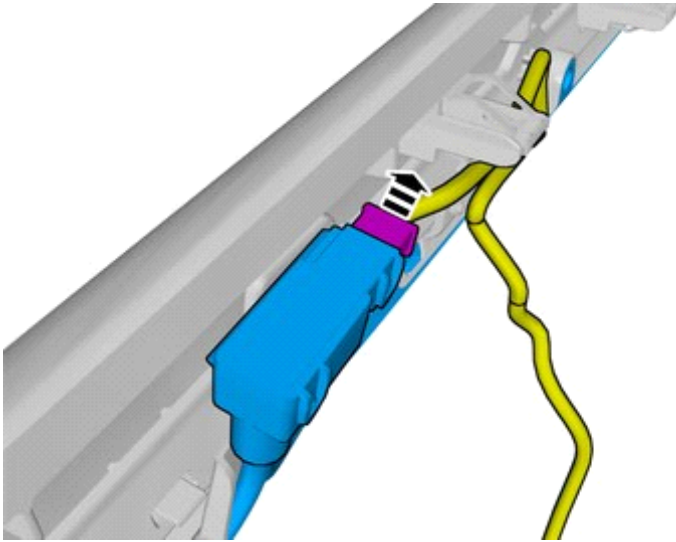
**Vehicles with decor illumination**



# Installation instructions, accessories

Volvo Car Corporation Gothenburg, Sweden

16

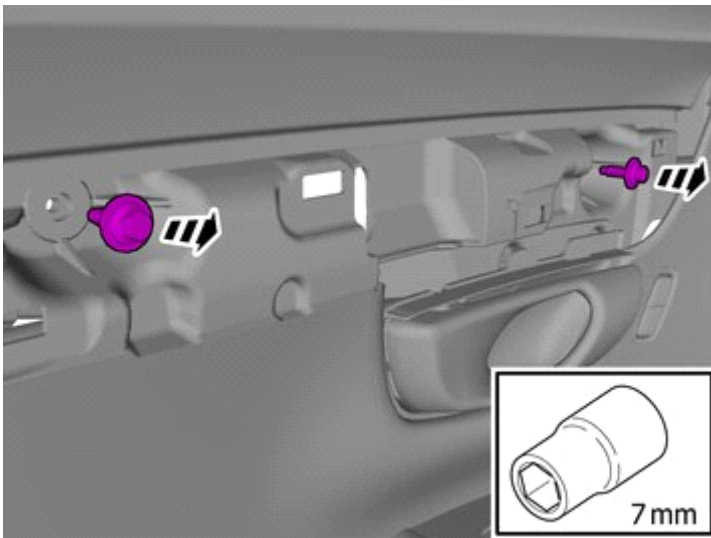


IMG-410320

Disconnect the connector.

## All vehicles

17



IMG-409930

Remove the screws.

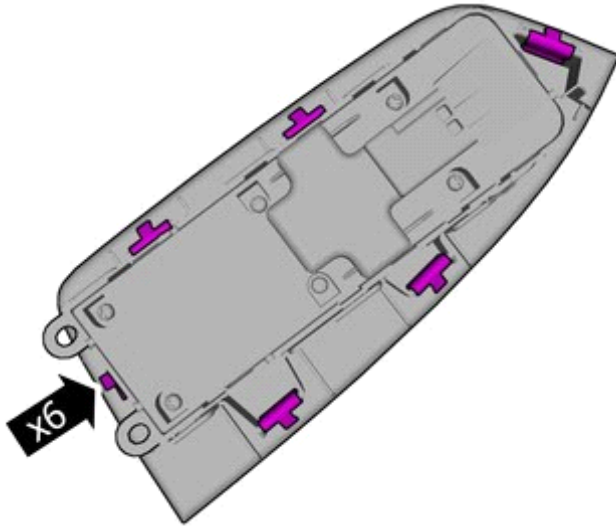
**Tightening torque:** M5 , 5 Nm



# Installation instructions, accessories

Volvo Car Corporation Gothenburg, Sweden

18

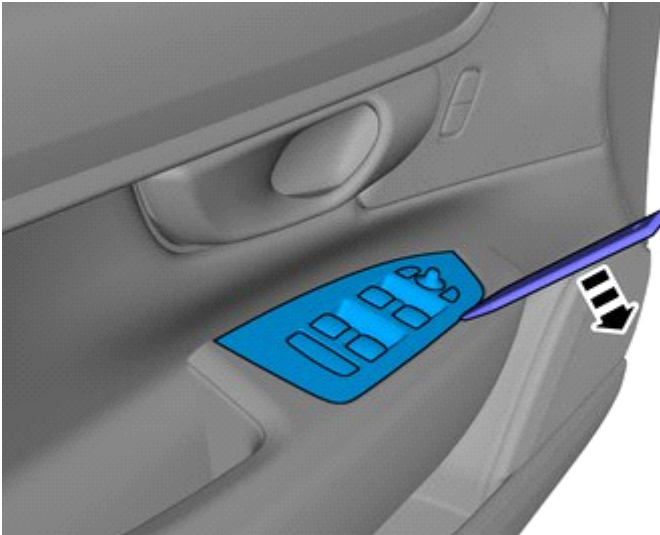


IMG-409855

**Note!**

The graphic shows the back of the component before removal.

19

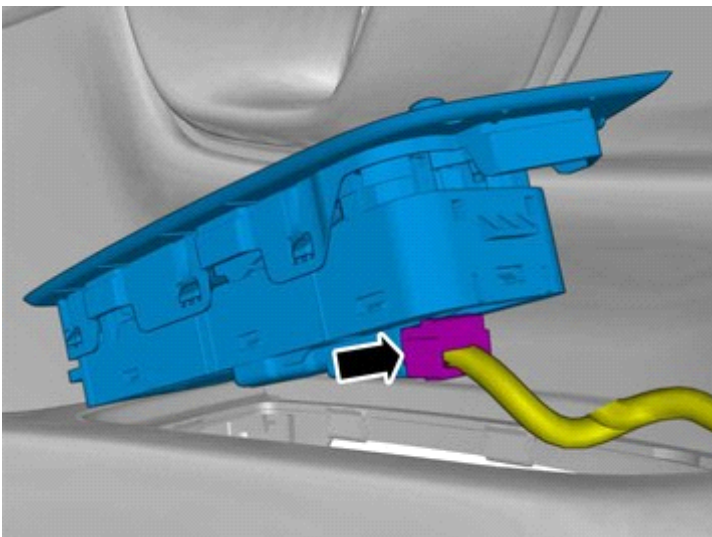


IMG-409856

Remove the part carefully

**Use:** Interior trim remover

20



IMG-409945

Disconnect the connector.

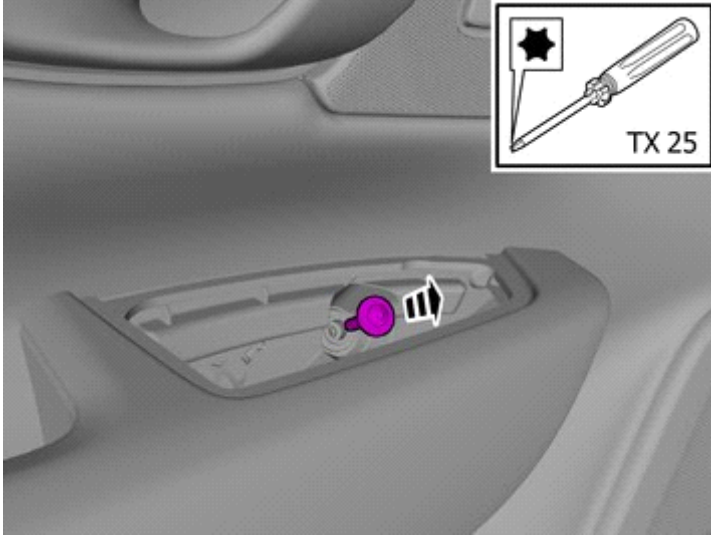
Remove the marked part.



# Installation instructions, accessories

Volvo Car Corporation Gothenburg, Sweden

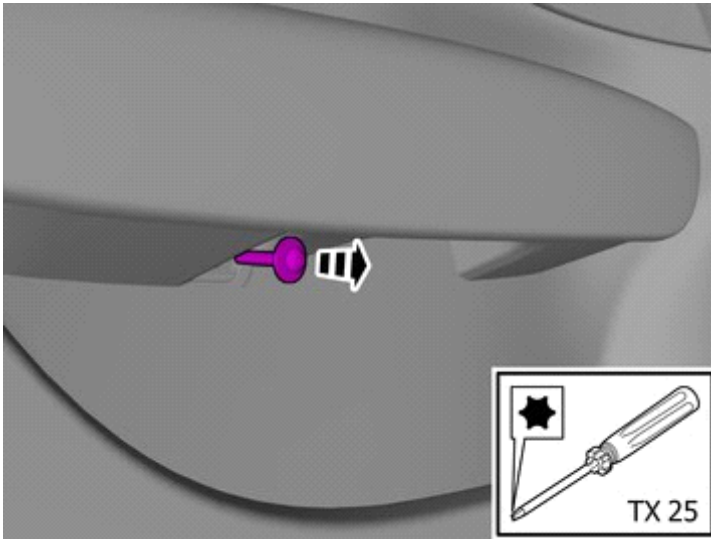
21



IMG-409857

Remove the screw.

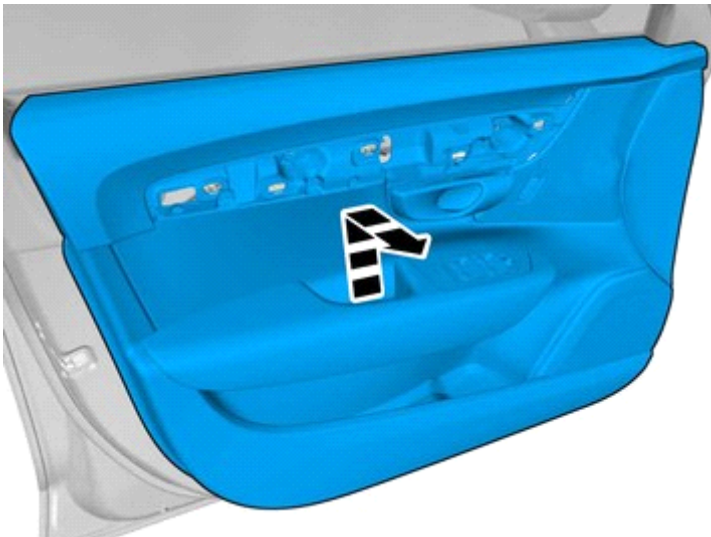
22



IMG-409883

Remove the screw.

23



IMG-410386

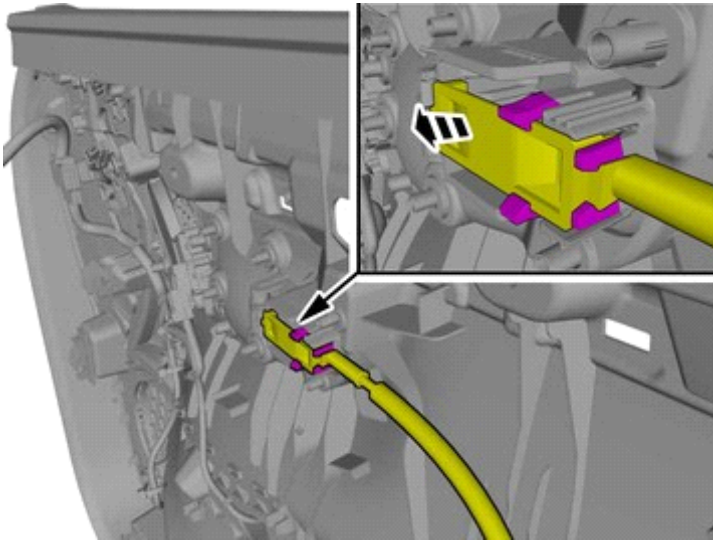
Detach the panel.



# Installation instructions, accessories

Volvo Car Corporation Gothenburg, Sweden

24



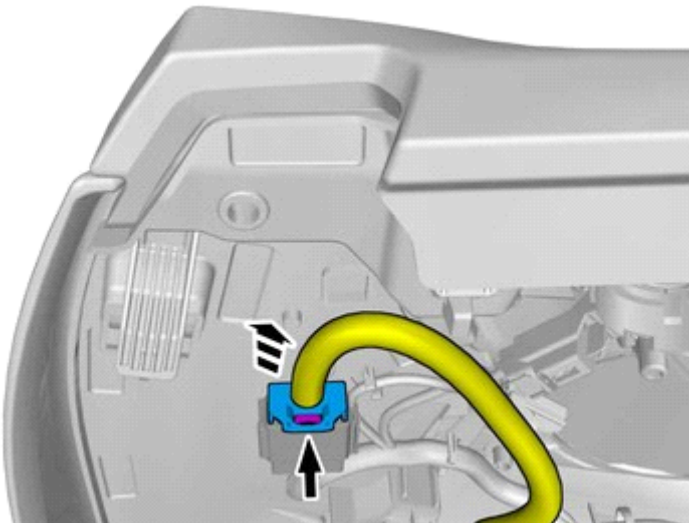
IMG-410388

Release the catches.

Remove the part carefully

Fold marked part to one side.

25



IMG-410391

**Note!**

Note the position of the component before removal.

Disconnect the connector.



# Installation instructions, accessories

Volvo Car Corporation Gothenburg, Sweden

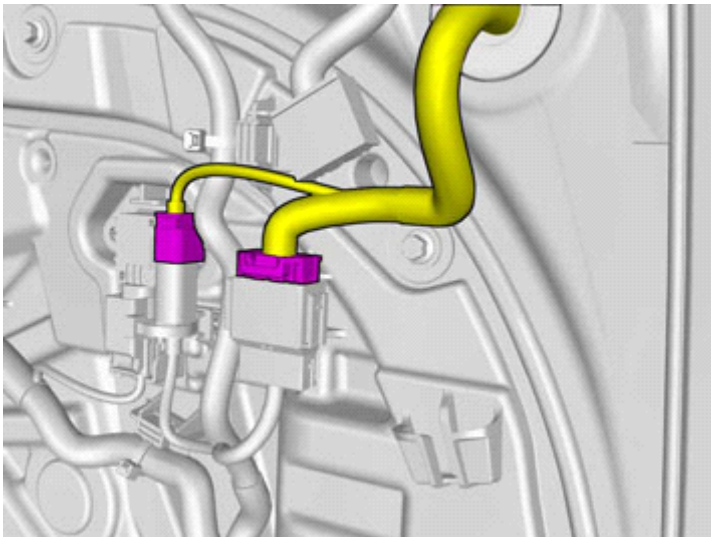
26



IMG-410393

Remove the marked part.

27



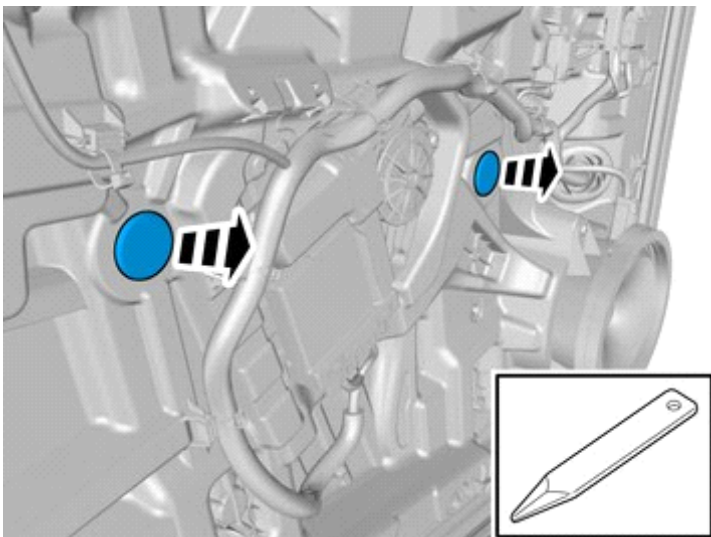
IMG-382574

**Note!**

The number of connectors may vary depending on the vehicle's equipment level.

Disconnect the connectors.

28



IMG-397145

Remove the marked part.

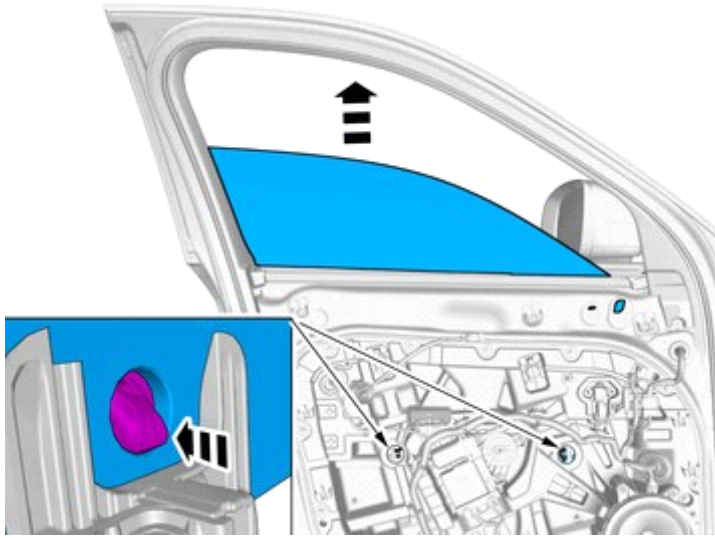


# Installation instructions, accessories

Volvo Car Corporation Gothenburg, Sweden

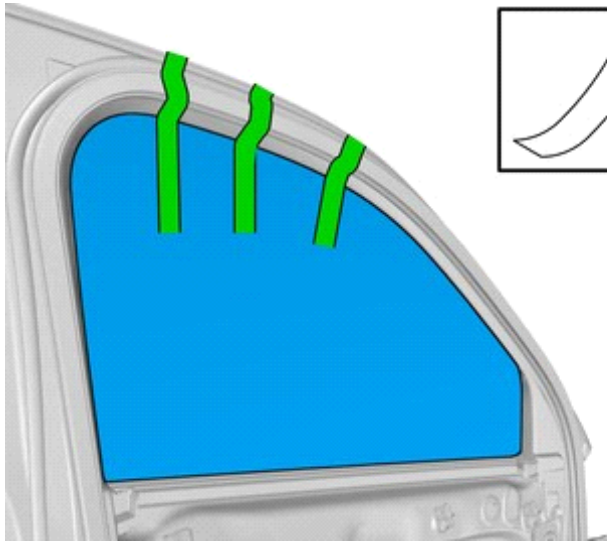
29

Release the catches.



IMG-397154

30



IMG-397155



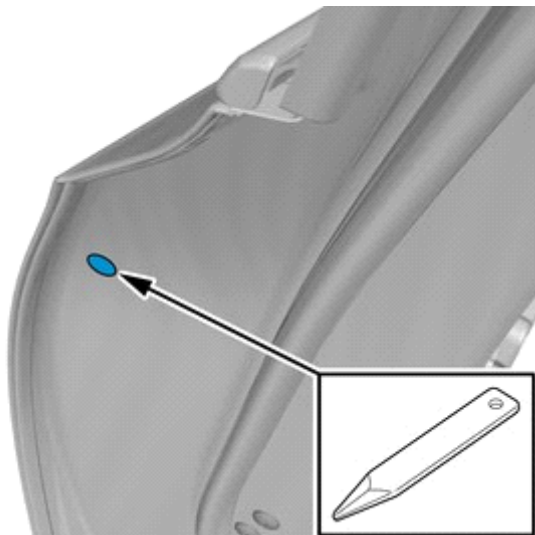
**Note!**

Ensure that the tape is fixed to the surface.

**Use:** , Tape

31

Remove the marked part.



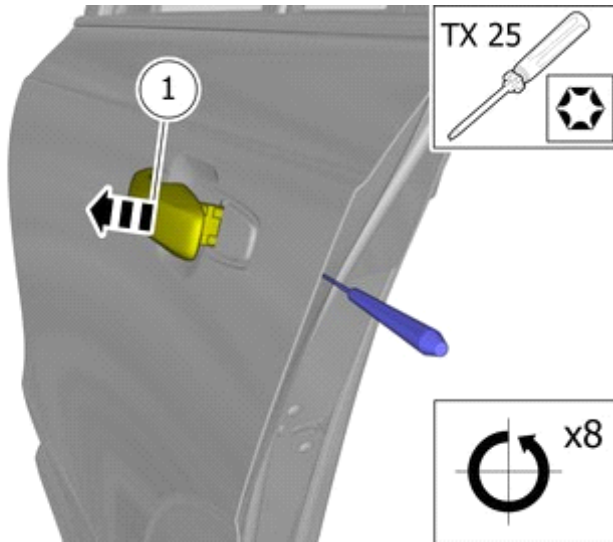
IMG-410396



# Installation instructions, accessories

Volvo Car Corporation Gothenburg, Sweden

32

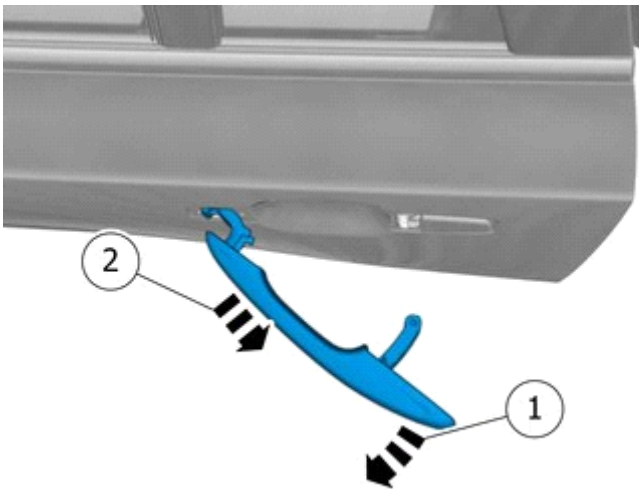


IMG-397299

**Caution!**  
Pull the door handle outwards and hold it in the pulled out position.

Loosen the exact number of turns indicated in the image.

33



IMG-397301

- Remove the part carefully
- Remove the marked part.

**Vehicles with keyless entry**

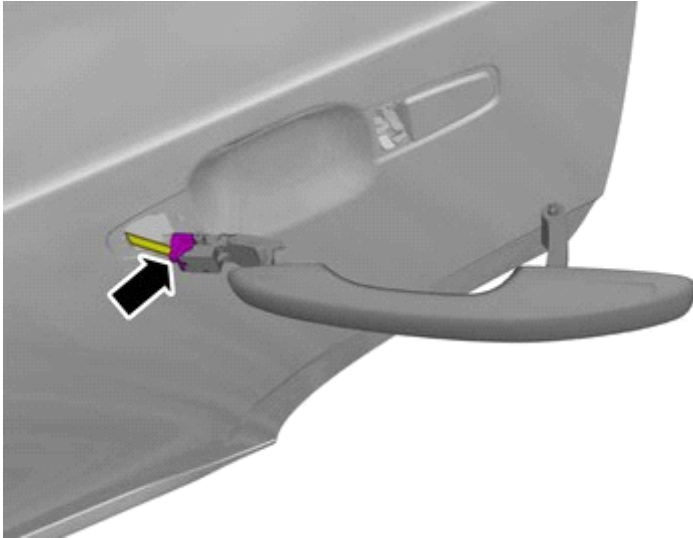




# Installation instructions, accessories

Volvo Car Corporation Gothenburg, Sweden

34



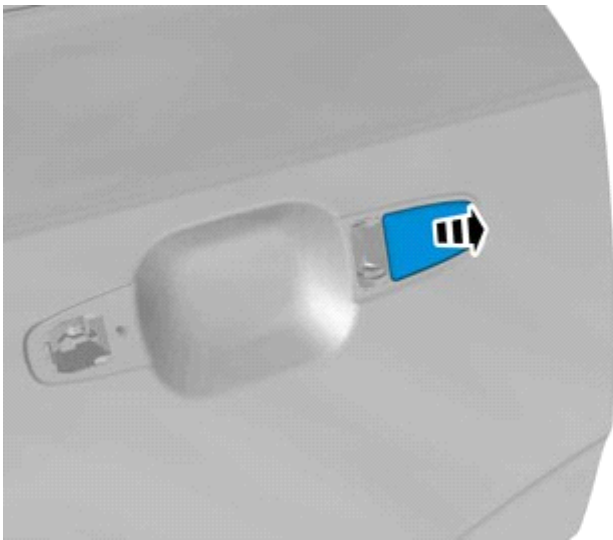
IMG-397300

Disconnect the connector.

---

**All vehicles**

35



IMG-397302

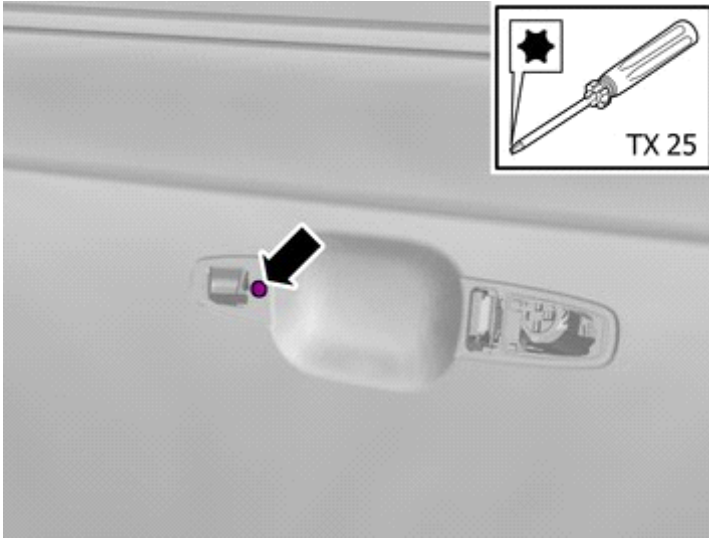
Remove the marked part.



# Installation instructions, accessories

Volvo Car Corporation Gothenburg, Sweden

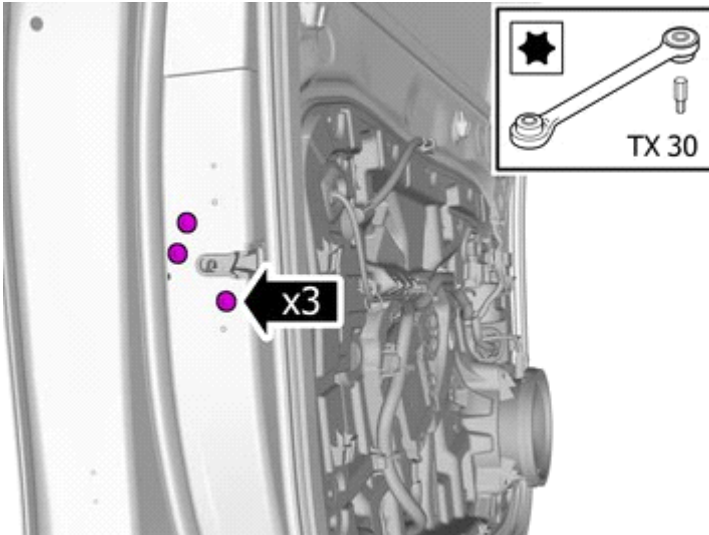
36



IMG-397366

Remove the screw.

37

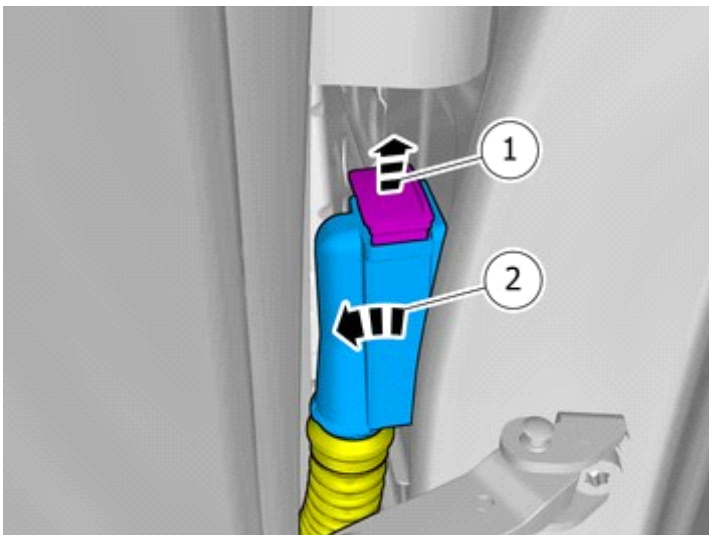


IMG-397141

Remove the screws.

**Tightening torque:** M6 , 10 Nm

38



IMG-410405

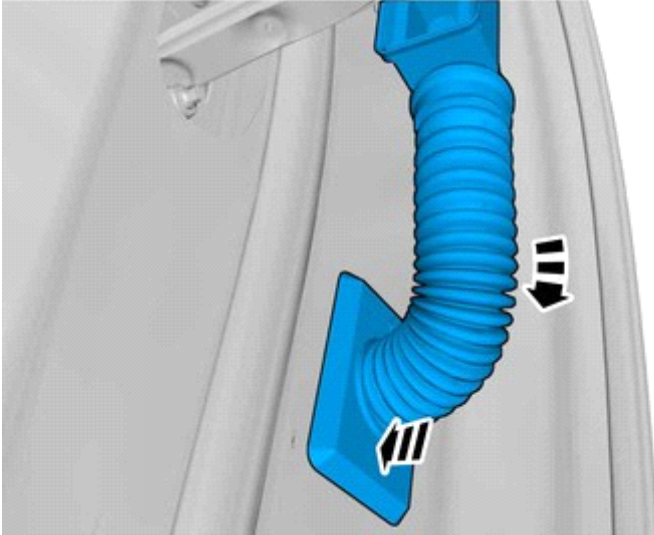
- Release the lock.
- Disconnect the connector.



# Installation instructions, accessories

Volvo Car Corporation Gothenburg, Sweden

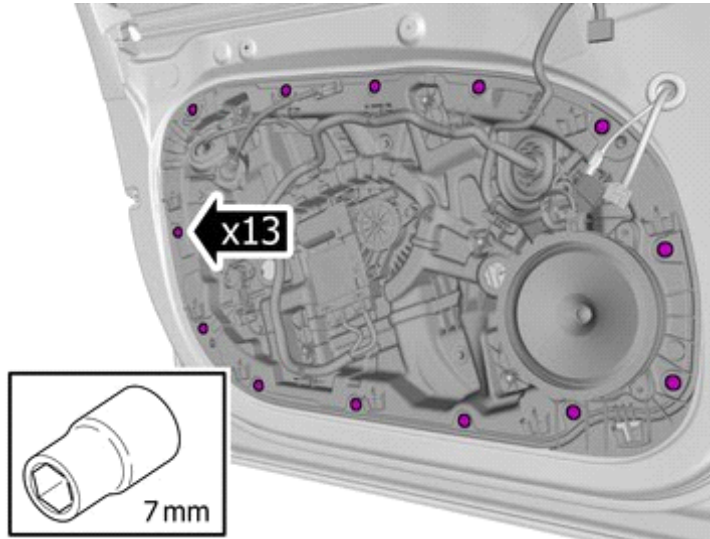
39



IMG-410418

Pull the wiring harness through.

40

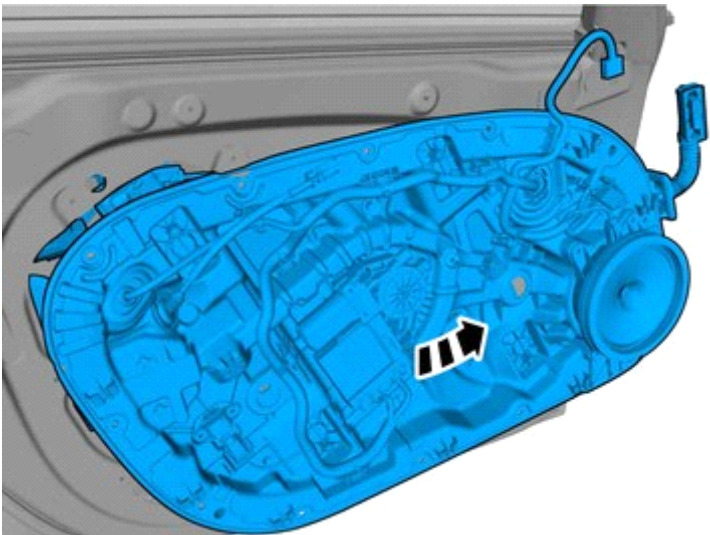


IMG-410397

Remove the screws.

**Tightening torque:** M5 , 5 Nm

41



IMG-410427

Remove the marked part.

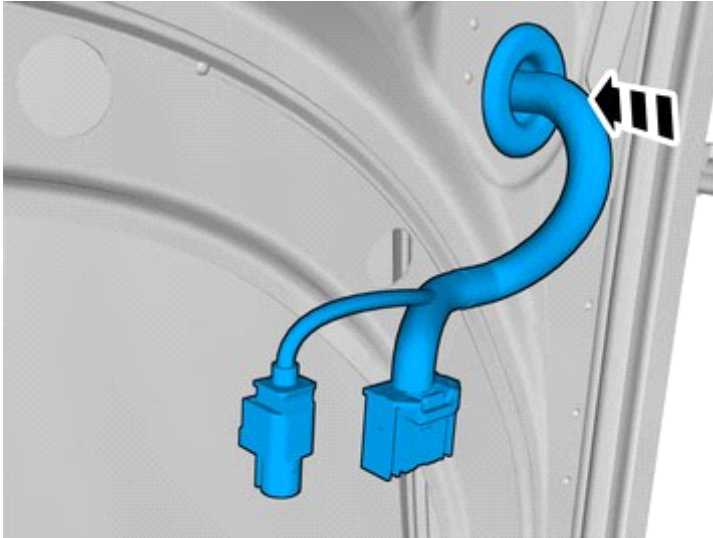
Tilt the component somewhat.



# Installation instructions, accessories

Volvo Car Corporation Gothenburg, Sweden

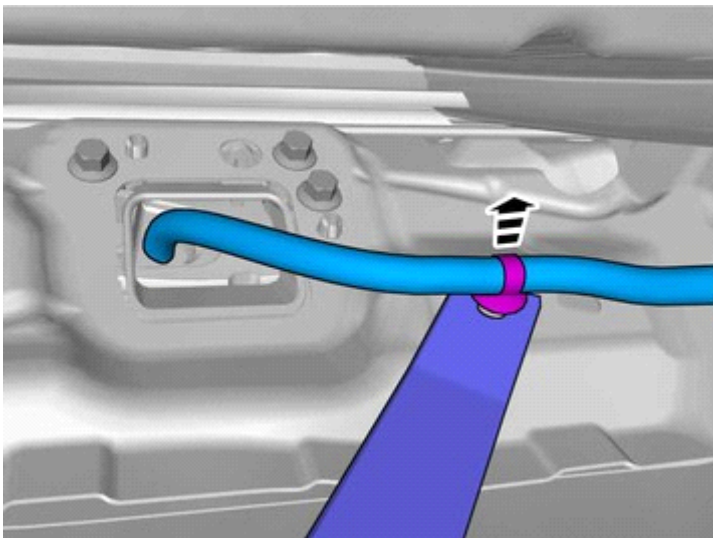
42



IMG-397166

Pull the wiring through.

43



IMG-410437

Loosen the clip.

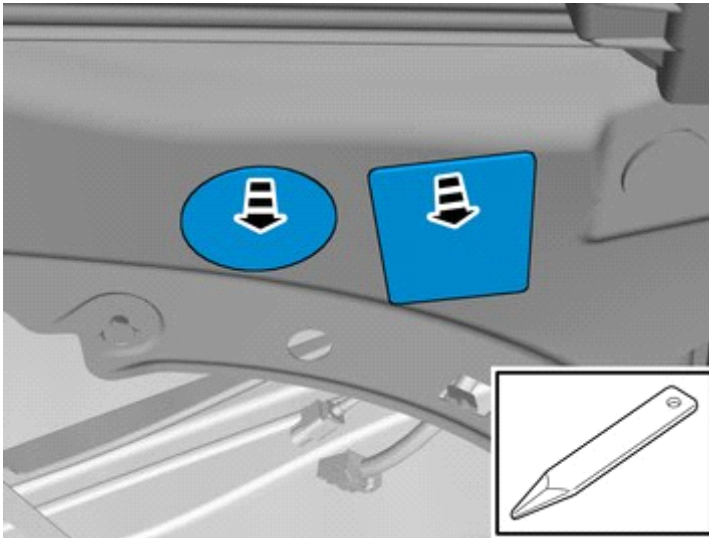
**Use:** Clip remover



# Installation instructions, accessories

Volvo Car Corporation Gothenburg, Sweden

44



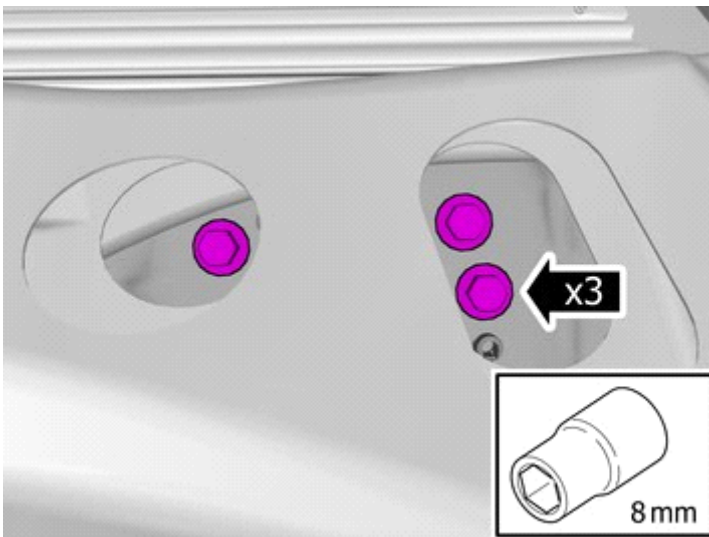
IMG-397322

**Caution!**  
Pull carefully.

Remove the tape.

The part is to be reused.

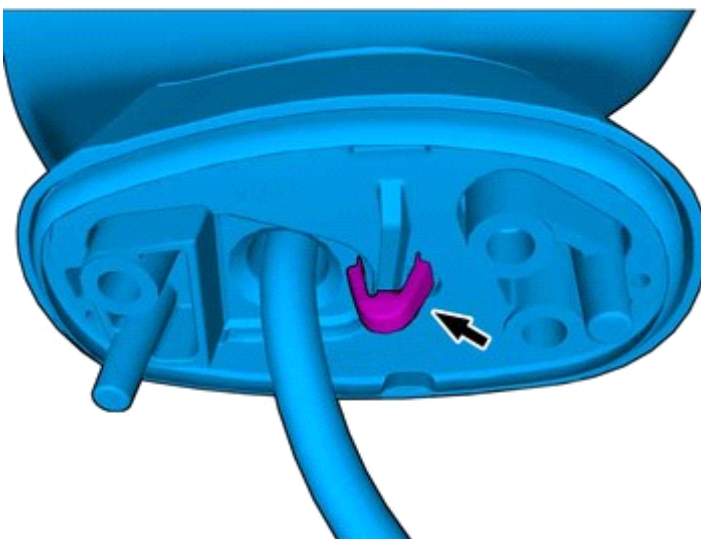
45



IMG-382587

Remove the screws.

46



IMG-410455

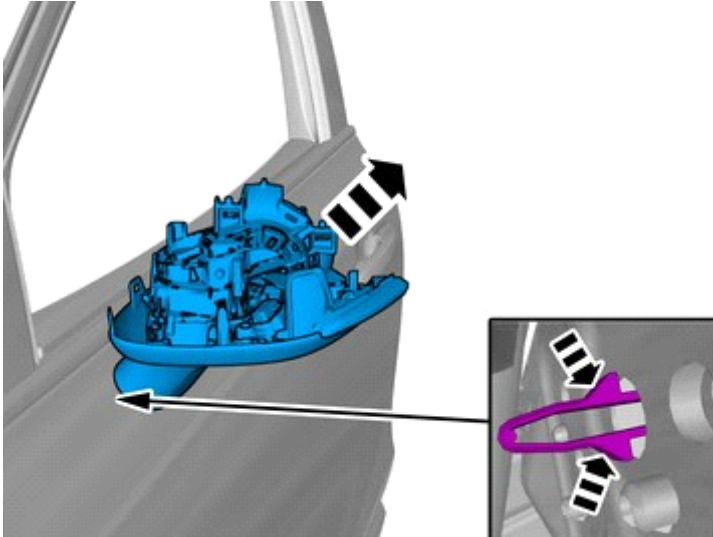
**Note!**  
The graphic shows the back of the component before removal.



# Installation instructions, accessories

Volvo Car Corporation Gothenburg, Sweden

47



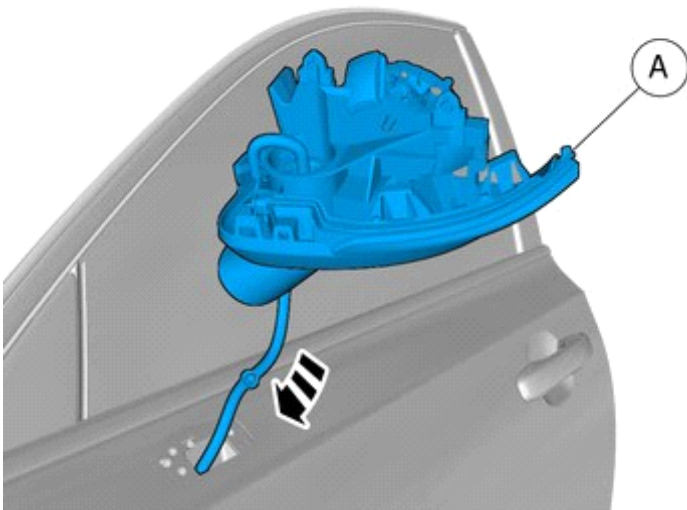
IMG-382586

Release the catches.

Remove the marked part.

## Accessory installation

48



IMG-409740

Install component that comes with the accessory kit.

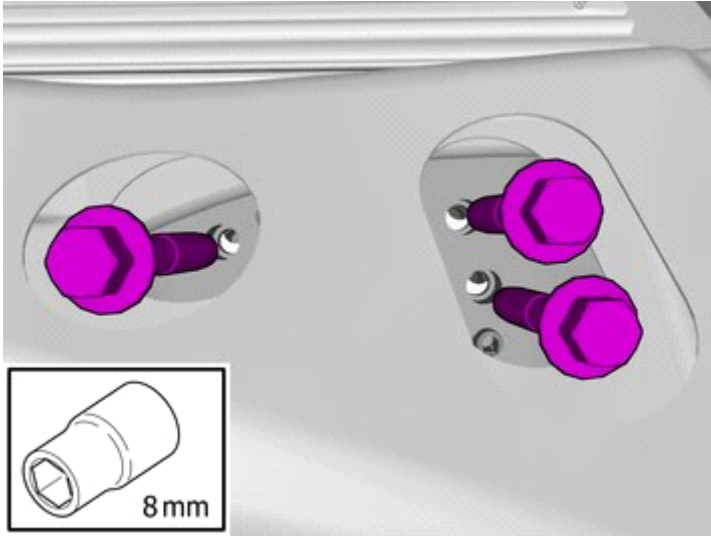
## Installation



# Installation instructions, accessories

Volvo Car Corporation Gothenburg, Sweden

49

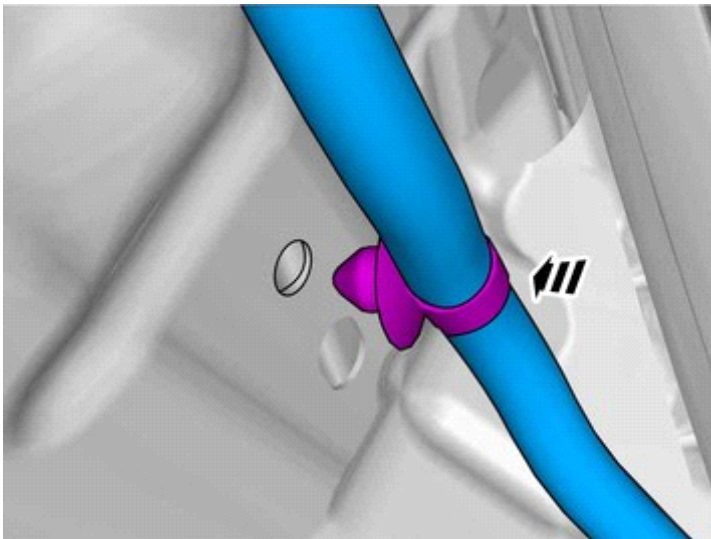


IMG-397211

Install the screws.

**Tightening torque:** M6 , 10 Nm

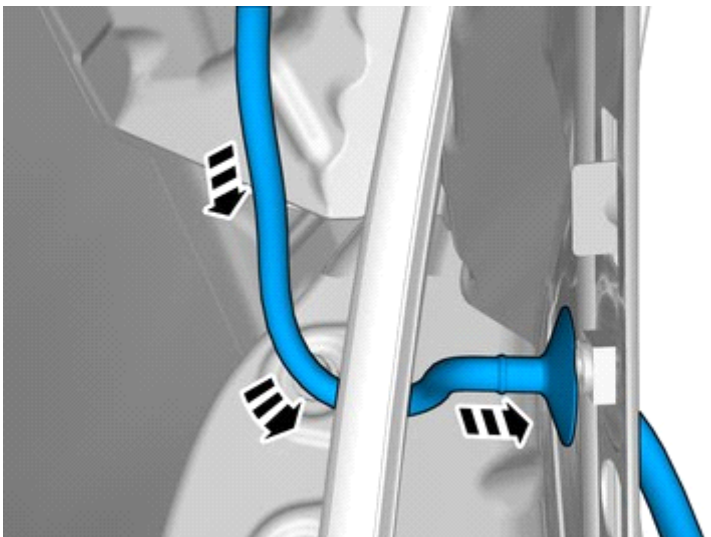
50



IMG-397210

Install the clip(s).

51



IMG-419344

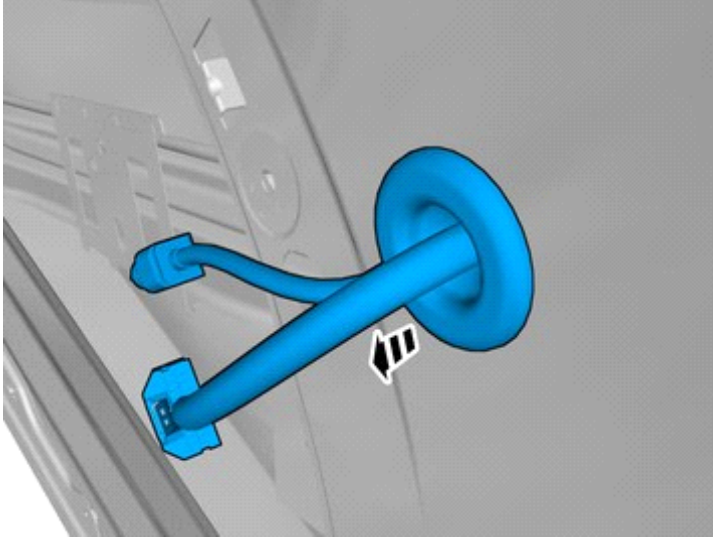
**Note!**  
Note the position.



# Installation instructions, accessories

Volvo Car Corporation Gothenburg, Sweden

52



IMG-410456

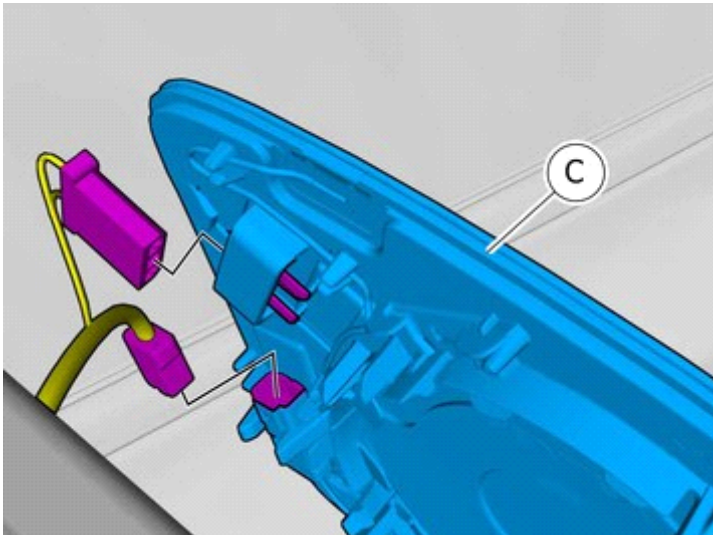
Pull the wiring through.

53

Reinstall the removed parts in reverse order.

## Accessory installation

54



IMG-409981

### Note!

The number of connectors may vary depending on the vehicle's equipment level.

Connect the connectors.

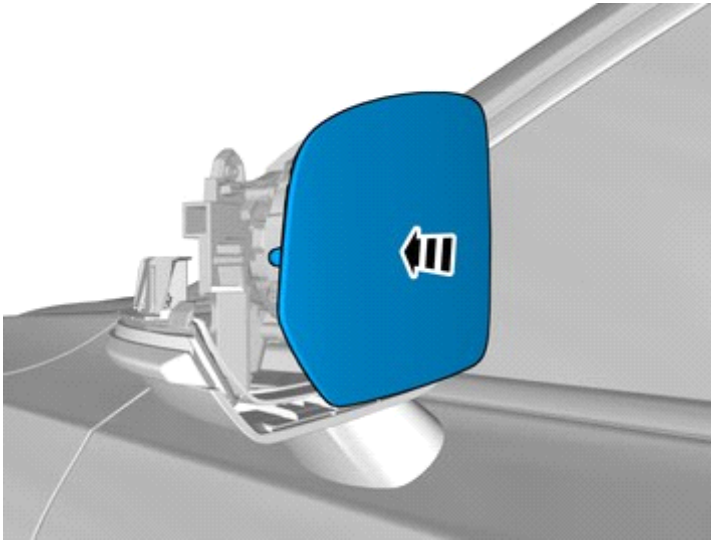




# Installation instructions, accessories

Volvo Car Corporation Gothenburg, Sweden

55



IMG-409982

Install component that comes with the accessory kit.

Ensure that all clips engage.

---

## Installation

56



IMG-409960

Reinstall the removed part.

Ensure that all clips engage.

57

Repeat all method steps for the other side.

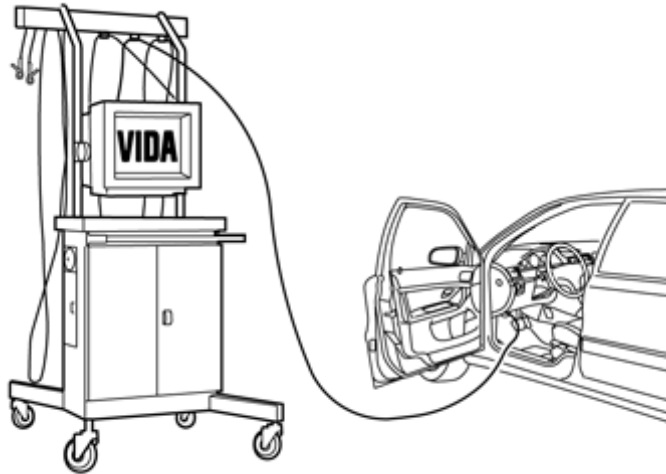
---



# Installation instructions, accessories

Volvo Car Corporation Gothenburg, Sweden

58



IMG-242268

Download software (application) for the accessory's function according to the service information in VIDA.

**Order and download software according to: 31428120**